



OLP-EC-5MWh

储能集装箱

The OLP-EC series containers are DC-side energy storage products meticulously crafted by OLiPower for large-scale energy storage application scenarios such as the power generation side, grid side, and user side, based on fields like power electronics, automatic control, and the Internet of Things. The power generation side can store the hard-to-consume electricity and release it as needed, smoothing the generation and consumption of electricity, making up for the instability of new energy power generation and avoiding waste. It can also flexibly adjust strategies to support the frequency and voltage of the power grid. The power grid side can enhance the stability and reliability of the power grid, promote the consumption and utilization of new energy, drive the development of the power market, and provide users with more flexible and economical power services. Zero-carbon parks on the user side can effectively address the intermittency and instability of energy supply and enhance energy utilization efficiency. In addition, energy storage systems can also serve as an important component of virtual power plants, participating in the regulation and management of the energy market, and providing more flexible and intelligent energy solutions for the park. Continuously supply users with safe, reliable, economical and efficient green electricity.



Product features



High integration

- High energy density;
- Standard 20-foot container, reducing floor space.



High security

- Intrinsic safety design, multiple fire protection designs, completely prevent explosion and fire;
- Dual protection of PACK-level perfluorohexanone gas fire protection and PACK-level water fire protection.



High performance

- High-efficiency variable-frequency liquid cooling and low-temperature heating system, intelligent temperature control, with a 30% increase in service life.
- Supports multi-scenario applications at 0.5C/0.25C/0.3C.



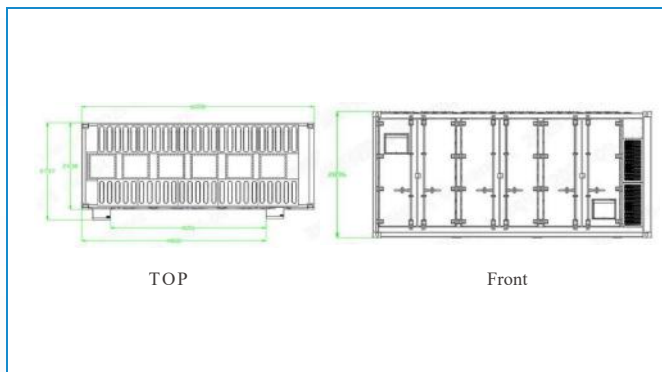
Intelligent operation and maintenance

- BMS three-level protection strategy, with PCS/EMS intelligent linkage cloud platform for remote monitoring;
- Remote monitoring, multi-dimensional reports, and convenient work order management.

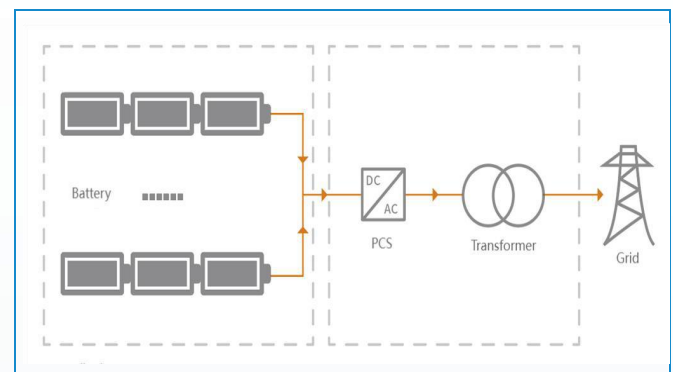
Technical parameters

Model		OLP-EC-V1331.2V_E5015-LO
Battery pack parameters	Cell type	LFP
	Specification of cell	3.2V/314Ah
	Cell Configuration	1P104S
	Rated Power	104kWh
	Rated Voltage	332.8V
	Voltage range	291.2 ~ 374.4V
	IP Rating	IP67
	Transportation certificate	UN38.3
	PACK Protection	FUSE (PACK)
	Repair Switch	Support
Cluster parameters	Rated Power	417.99kWh
	Voltage range of a single battery cluster	1144~1497.6V
	Rated Current	157A
	Maximum sustained current	200A
	Charging and discharging efficiency	≥95%
	Rated Power	0.5P
	Withstand voltage test	AC:3100V DC:4380V Hold for 60 seconds
System parameters	Insulation testing	The positive terminal is connected to the shell (ground), and the shell (ground) is connected to the negative terminal. Use DC2500V for 60 seconds, and the insulation resistance is greater than 100M Ω
	System Capacity	5.015MWh
	Rated Voltage	1331.2V
	Voltage Range	1164.8~1497.6V
	Series-parallel mode	1P104S-4S-12P
	Thermal management method	Liquid cooling
	System communication interface	CAN, RS485, CAN, Ethernet, dry contacts
	System communication protocol	Modbus RTU/ TCP , IEC104 , IEC61850
	Fire protection system	Perfluorohexanone/aerosol fire extinguishing system + water sprinkler
	Humidity	0%~95%RH (No condensation)
	Altitude	≤3000m
	Operating temperature	0-50°C
	Estimated weight	≤43T
	IP rating	IP54
Dimensions: W×D×H (mm)	W6058*D2438*H2896mm	
Certification	IEC62619/IEC62477/IEC61000/UN3536	

Installation dimensions



Typical topological mode



OLiPower Energy & Automation Technology Co., Ltd

1001, Block A, Building 2, Shangzhi Technology Park, No.380 Guangming Avenue,
Tangwei Community, Fenghuang Street, Guangming District, Shenzhen City, Guangdong Province

+86 (755) 2650 8686 sales@olipower.cn

*OLiPower reserves the right of final interpretation, and is subject to modify without prior notice.



Welcome to follow
Discover
more company information